

Product Specification

Emergency Module - INV002 PLEM28T

LED TUBE

Emergency Module

Product Appearance



Product Description

Theta Series Emergency Lighting Power Kit is a newly designed type of emergency power supply.

It is tailor-made for **LED TUBEs or other driver equipped LED Lighting.**

The emergency power kit equipped with the inverter, battery pack and the necessary accessories. The control circuit monitors the mains supply, if the light works as normal, the inverter allows the charger to trickle charge the battery pack in standby mode. In the event of an earthquake, explosion, accident or other emergency which results in the AC power supply to fail, the inverter automatically activates the battery backup system and switches the light on in less than 0.1 second. The system can be programmed emergency running time of 1/2/ 3/4 hours depending on different battery packs to meet the requirements under various conditions.

Range of Application

1. This product is applicable for 1W to 28W LED TUBE Emergency lighting, Emergency output power is 1W to 28W, Emergency duration is from 0.5 to 4hours.
2. This product is also applicable for any driver equipped led lighting,.
3. Operates in -25-+70 environment temperature.

Product Feature

1. Intelligent automatic recharging and converting function
2. Constant current battery charger
3. 1/2/3 hours emergency operation
4. Led charge status display

5. Inverter with multiple protection functions:charge protection,discharge protection, short circuit protection
6. Facility for a Test switch to inspect between Emergency and normal lighting function
7. Supplied with high brightness green/Red LED (manual test)
8. Complete with flex and plug
9. Push-wire terminal blocks for easy wiring installation
10. High quality of NiCD rechargeable battery.
11. Small volume, convenient and flexible installation

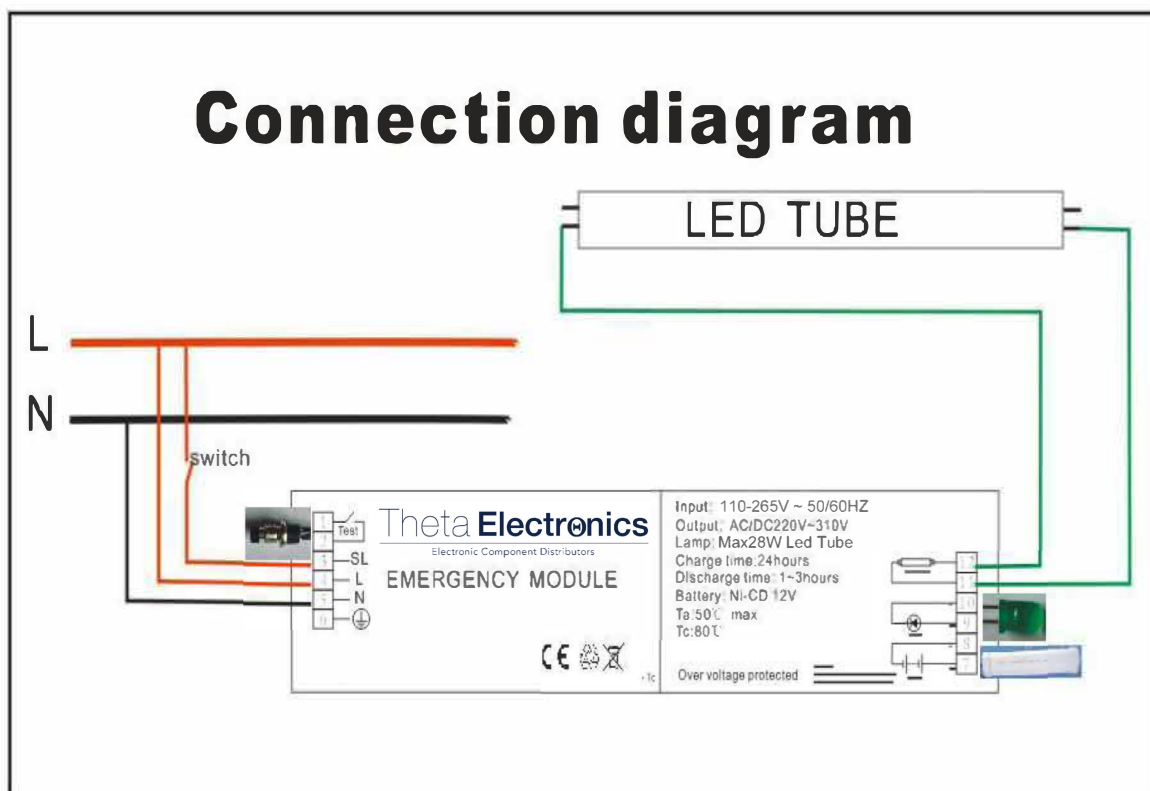
Technical Specification

TYPE	LEM-28-TA	LEM-28-T	LEM-28-TS
Applicable for	LED Tube Light		
Applicable for lamp power	1-28W		
Inner package material	high quality cold-rolled steel plate spray white and environment friendly paint.		
Charging power	AC110V-AC265V,50HZ/60HZ;		
Emergency time	1~4Hour		
Emergency power level	100%		
Emergency output voltage	AC220~230V	DC220~310V	DC220~310V
Inverter dimension	217×40×30mm	217×40×30mm	180×38×29mm
Product weight	200g/pcs	200g/pcs	200g/pcs
Emergency Conversion time	0.1sec	0.1sec	0.1sec
Charging time	24h	24h	24h
Battery	To be configured with different back-up period and different light output levels.		

Installation

1. L (line) and N (neutral) must be always charged, external connection with control switch is prohibited.
2. Strictly comply with the wiring diagram to connect circuit in other conditions

Connection diagram



7.Attention

1. Pay extra attention to the negative and the positive pole of the battery in order to prevent reverse operation, please use designated and matching batteries and ensure all wiring is done correctly and stable before use.
2. If you need to do product testing, unplug the battery pack when the emergency device is disconnected from the mains supply, and then plug in the battery after the emergency device is completely shut down.
3. Comply with the wiring connection circuit diagram completely, prevent from over loading and non loading in the process of use and testing.
4. In order to prolong the battery powered lighting time, all indicator lights are switched off during normal use with the emergency power system in standby mode.
5. The battery is not charged before leaving the factory; please charge the battery longer than 24 hours before use.
6. In general, the battery needs to be fully charged and discharged for around 3- 5 times in order for the Ni-CD/Ni-MH battery to operate at full capacity.

7. It is detrimental for the Ni-CD/Ni-MH battery to lie idle for a long time, especially when it runs dead. Charge the battery completely when it is out of operation for a long time. (The battery cannot lie idle for more than three months)

Service and warranty

1. Warranty is applicable for 6 months. According to national standards, a replacement is mandatory after constantly using for 3 years. During the warranty period, it can be replaced with any quality problems (except for man-made factors).
2. Requires professional maintenance after emergency power installation, in case of any abnormal conditions happening, please maintain in time or inform our company to send professionals to provide technical support.